

**Ancar**

DENTAL  
INTELLIGENCE  
*with heart*



TD-700



TD-600



TD-500

## DENTAL STOOLS

### USER MANUAL

September 2015, QS4 692 v.1



**Antoni Carles, S.A.**

Volta dels Garrofers, 41-42  
 Pol. Ind. Els Garrofers  
 08340-Vilassar de Mar  
 (Barcelona-SPAIN)

T. (34) 93 754 07 97  
 F. (34) 93 759 26 04  
 calidad@ancar-online.com  
 www.ancar-online.com



## EC Declaration of Conformity (Directive 93/42/EEC, annex VII)

Manufacturer's Name

**ANTONI CARLES, S.A.**

With medical device manufacturing and assembly license number **2509-PS** granted by the Health Authorities of Spain

Name of device

**Dental Stool**

**Code GMDNS: 11164**

Type or Model:

**TD-500 / TD-600 / TD-700**

Intended use: **Equipment to facilitate support and height adjustment to user provided with casters, and with or without backrest.**

Device Class According to the intended use and the criteria of Annex IX of the Directive:

**Class I (rule 12).**

Scope of Application: **All (including pieces and accessories)**

This Declaration is based on Certificates issued by **DNV**:

**# 171338-2015-AQ-IBE-NA, according to ISO 13485:2003 / NS-EN ISO 13485:2012.**

**# 171281-2015-AQ-IBE-ENAC, according to ISO 9001:2008**

We, the undersigned, under our sole responsibility, certify and declare that the medical devices specified above are in conformity with the essential requirements, which are applicable to them, of **RD 1591/09**, transposition to the Spanish law of the directive **93/42/EEC**, as it has been modified by **2007/47/EC**. We also declare that we comply with the design and construction requirements of the following standards:

**ISO 7493:2006**

Dentistry. Operator's stool

**EN ISO 14971 :2012**

Medical Devices. Application of Risk Management to Medical Devices.

We also declare constructive materials fulfill **RD 219/13**, transposition law of the directive **RoHS II (2011/65/EU)**.

Authorized Signatory

Stamp, Date

**Josep Álvarez**  
 Regulatory & Safety Officer

**Antoni Carles Bosch**  
 General Manager

**ANTONI CARLES, S.A.**  
 Pol. Ind. "Els Garrofers"  
 C/Volta dels Garrofers, 41-42.  
 08340 VILASSAR DE MAR  
 BARCELONA-SPAIN

**29 September 2015**



## TABLE OF CONTENTS

<b>1.- GENERALITIES</b>	<b>6</b>
<b>2.- GUARANTEE</b>	<b>6</b>
<b>3.- IDENTIFICATION</b>	<b>6</b>
<b>4.- PRECAUTIONS</b>	<b>7</b>
<b>5.- CLEANING AND DISINFECTING</b>	<b>7</b>
<b>6.- INTENDED USE</b>	<b>7</b>
<b>7.- TD-700 STOOL</b>	<b>8</b>
7.1.- TD-700 PACKAGING	8
7.2.- TD-700 ASSEMBLY	8
7.3.- TD-700 USE	8
7.4.- TD-700 TECHNICAL SPECIFICATION	10
<b>8.- TD-600 STOOL</b>	<b>11</b>
8.1.- TD-600 PACKAGING	11
8.2.- TD-600 ASSEMBLY	11
8.3.- TD-600 USE	13
8.4.- TD-600 TECHNICAL SPECIFICATION	14
<b>9.- TD-500 STOOL</b>	<b>15</b>
9.1.- TD-500 PACKAGING	15
9.2.- TD-500 ASSEMBLY	15
9.3.- TD-500 USE	16
9.4.- TD-500 TECHNICAL SPECIFICATION	17

## 1.- GENERALITIES

Thank you for purchasing an ANCAR dental stool.

This instruction manual contains information on the dental stool models: Sd-700, Sd-600, Sd-500, including their configuration and maintenance.



### Notes

This symbol means **ATTENTION, RECOMMENDATION or OBLIGATION**

**Before start using the dental stool you must have read and fully understood content of this user manual.**



**Keep this manual in a safe place for future reference, for as long as you use it.**

**Follow all safety standards.**

**It is the user's responsibility to keep the product in correct conditions of working and cleanliness.**

This dental stool is for the exclusive use of a professional, who should have the appropriate training and be a member of a dental association to practise as a dentist.

This dental stool may only be installed and serviced by authorised technicians.

The stool must be placed in an environment with controlled conditions, including temperature (+10°C to +40°C), humidity (30-75 %) and atmospheric pressure (700 a 1060 hPa), free from dust and condensation and protected from direct sunlight.

**Antoni Carles, S.A.** reserves the right to make any improvements or modifications to the dental stool without prior warning.

The stool must be used in accordance with the use instructions.

## 2.- GUARANTEE

Ancar provides 2 year warranty. The Certificate of Guarantee must be completed. Please fill in form through website (Distributor's zone / Guarantee Certificate) within 8 days of delivery of the device.

## 3.- IDENTIFICATION

Every Ancar dental stool is identified with an information tag (Fig.1.)

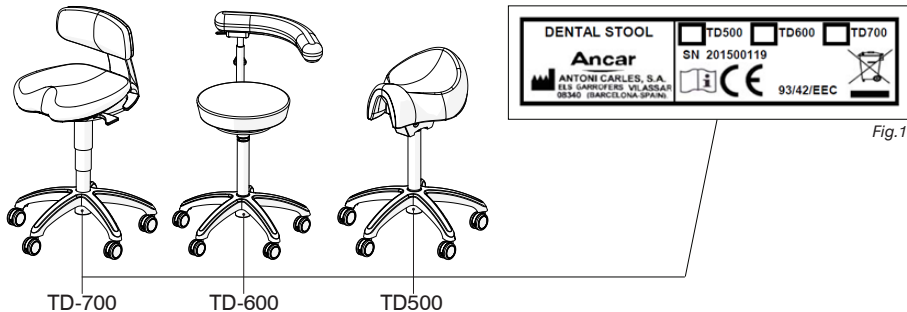


Fig.1



This symbol means the equipment is certified under Directive 93/42/EEC (modified in accordance to 2007/47/EC).



This symbol is only applicable for member countries of the European Union.

In order to avoid potential negative consequences for the environment or even human health, this equipment should be disposed of (i) in EU member countries – in accordance with the WEEE (Waste Electrical and Electronic Equipment) Directive, and (ii) for all other countries, in accordance with local provisions and recycling laws.

## 4.- PRECAUTIONS

### CLAUSES

**Antoni Carles, S.A.** will not assume responsibility for damages caused by fire, natural disasters, third party activities or other accidents caused by operator negligence or misuse, or from using the equipment under unusual conditions.

**Antoni Carles, S.A.** will not assume responsibility for damages deriving from the improper use of equipment, causing a loss of business or loss of earnings.

**Antoni Carles, S.A.** will not assume responsibility for results of diagnoses made by a doctor using this equipment.

### ENVIRONMENTAL PROTECTION

All packaging materials are produced in respect for the environment and are fully recyclable: wooden pallets, cardboard, plastic bags and bubble-wrap. Collecting used materials helps collection and recycling and reduces waste material.

### ENVIRONMENTAL CONDITIONS

While it is in its packaging for transport and storage, the equipment can withstand being exposed for no longer than 15 weeks to environmental conditions that do not exceed:

- a) ambient temperature margin from -20°C to +50°C.
- b) a relative humidity margin of 10 % to 100 %, including condensation.
- c) an atmospheric pressure margin of 500 hPa to 1060 hPa (from 500 mbar to 1060 mbar).

-Functioning conditions:

- d) ambient temperature margin from +10°C to +40°C.
- e) a relative humidity margin of 30 % to 75 %, including condensation.
- f) an atmospheric pressure margin of 700 hPa to 1060 hPa (from 700 mbar to 1060 mbar).

## 5.- CLEANING AND DISINFECTING

When cleaning your dental stool, it is essential to use neutral products. Cleaning products with high chemical content can damage plastic parts or upholstery. Various specialists in the dental hygiene industry offer a wide range of cleaning products for achieving optimum results.

## 6.- INTENDED USE

Stool is defined as stationary device exclusively to seat dental operator in order to obtain a better work position and approach with respect patient.

Do not use for personnel or material transport purposes, nor to get on it when carrying out work at height.

Only for one-off moment and for horizontal displacements provided floor is absolutely flat and free from any kind of obstacle.

## 7.- TD-700

The Td-700 is a dentist / assistant dental stool that the user can adjust the seat position (sitting height and seat inclination) and the backrest position (height and inclination).

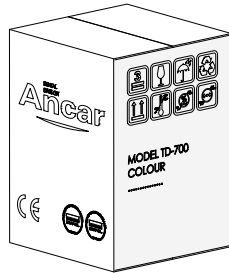
### 7.1.- TD-700 Packaging

The TD-700 is delivered with one single packaging with the Ancar identification, the stool model name and the upholstery colour indicated on the box sides.

#### BOX DETAILS

x1 Package

Dimensions:  
570x560x790 mm.  
Net weight: 16Kg.  
Gross weight: 19Kg.



#### BOX CONTENT

x1 Td-700 stool  
x1 Wheels set:  
x5 Wheels



Td-700



Wheels set

### 7.2.- TD-700 Assembly

#### UNPACK

Remove all the TD-700 components out of the packaging and place these on a horizontal surface.

#### WHEELS INSTALLATION

- Mount the 5 wheels to the TD-700 aluminium foot by introducing the wheels axle **A** (Fig.1) to the foot holes **B** (Fig.1) and press firmly against the foot.
- Place the dental stool in standing position and ensure a correct assembly by checking a good stool movement.

If the previous points have been done correctly, the stool is ready to be used.

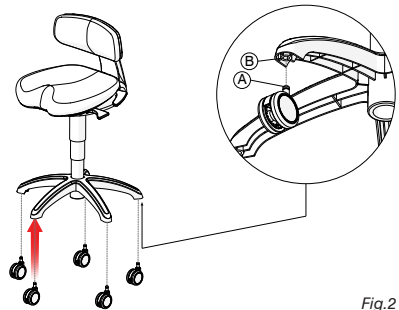


Fig.2

### 7.3.- TD-700 Use

#### ADJUSTMENT LEVERS

- A** - Seat tilting adjustment lever
- B** - Stool height adjustment lever
- C** - Backrest tilting adjustment lever



Fig.3



### STOOL HEIGHT ADJUSTMENT

The seat stool height can be adjusted from 550 mm to 750 mm.

- Sit down on the stool.
- Pull up the lever **B** (Fig. 3).
- Decrease the pressure on the seat to go on a high position or increase the pressure to go on a lower position.
- Release the lever.

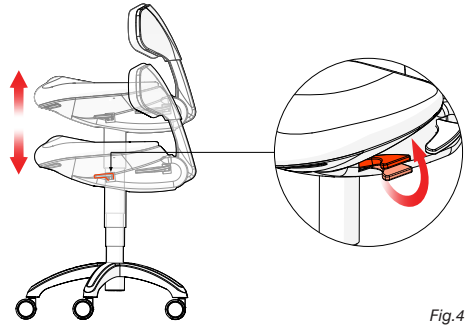


Fig.4

### SEAT TILTING ADJUSTMENT

The stool seat inclination can be adjusted from  $-5^{\circ}$  to  $+10^{\circ}$  from the horizontal plane.

- Sit down on the stool.
- Pull down the lever **A** (Fig.3).
- Balance your body until you find the desired position.
- Pull up the lever **A** to fix the position.

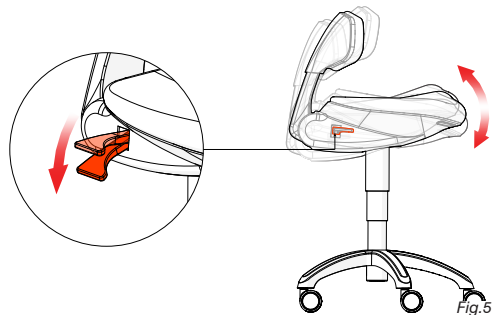


Fig.5

### BACKREST TILTING ADJUSTMENT

The stool Backrest inclination can be adjusted from  $-13^{\circ}$  to  $+10^{\circ}$  from the vertical plan.

- Sit down on the stool and lay back.
- Pull down the lever **C** (Fig.3) and maintain it down.
- Balance your back until you find the desired position.
- Pull up the lever **C** (Fig.3) to fix the position.

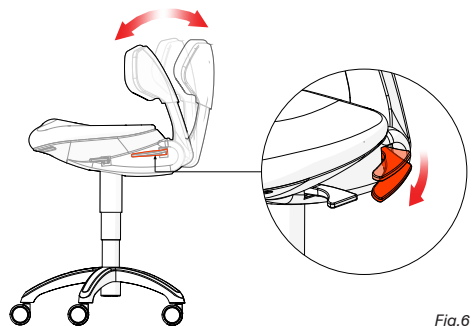
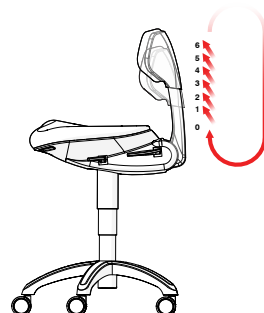


Fig.6

### BACKREST HEIGHT ADJUSTMENT

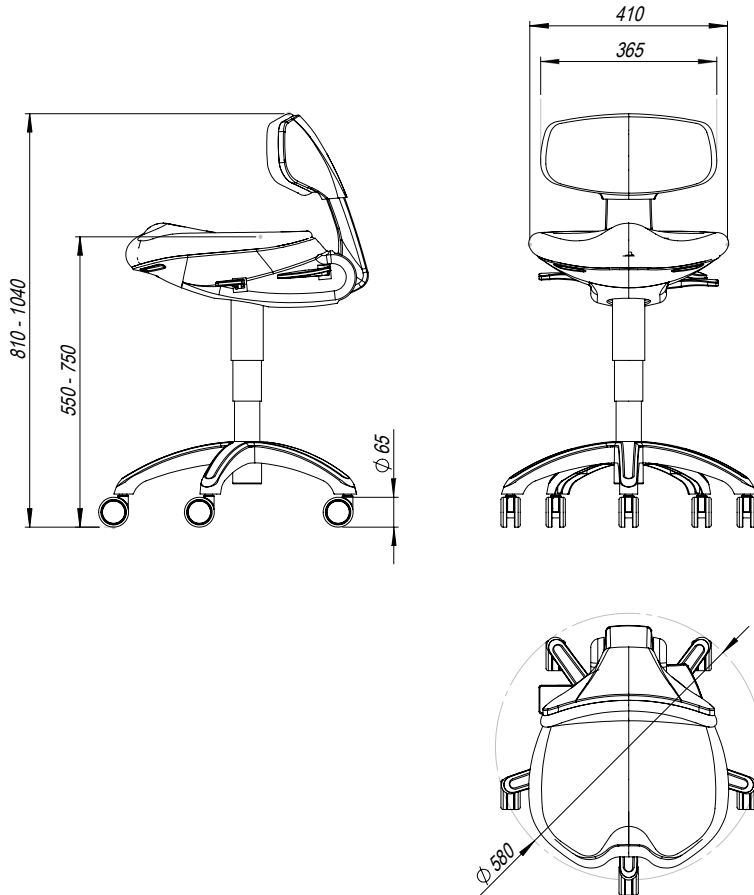
The stool backrest height can be 50mm adjusted.

- Pull up gently the stool backrest until you hear one click.
- The backrest has six height positions (clicks), when you pas the last position 6 (Fig.7) the backrest returns to the position 0 (Fig.7).

Fig.7  
9

## 7.4.- Technical Specifications

Ancar Identification	TD-700
Base outside diameter	600 mm
Seat height from the floor	550 to 750 mm
Seat height adjustment	200 mm
Seat tilting adjustment	-5° to +10°
Backrest height adjustment	50 mm
Backrest tilting adjustment	-13° to 10°
Wheels diameter	65 mm
Packaging dimensions	570 x 560 x 790 mm
Gros weight	19 Kg.
Net weight	16 Kg.



## 8.- TD-600

The Td-600 is a dentist / assistant dental stool with height adjustment and an auxiliary support arm that can also be height and position adjusted.

### 8.1.- TD-600 Packaging

The TD-600 is delivered with one single packaging with the Ancar identification, the stool model name and the upholstery colour indicated on the box sides.

#### BOX DETAILS

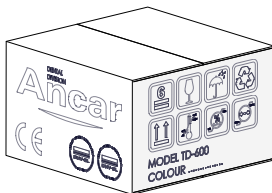
x1 Package

Dimensions:

570x560x350 mm.

Net weight: 13Kg

Gross weight: 16Kg.



#### BOX CONTENT

x1 Td-600 Seat

x1 Support arm (upholstery)

x1 Tube (support)

x1 Piston

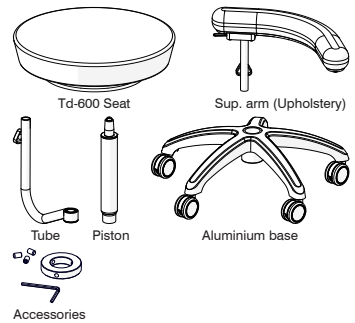
x1 Aluminium base

x1 Accessories bag:

x1 Aluminium ring

x3 M6 Grub screws

x1 Allen 3 key



### 8.2.- TD-600 Assembly

#### UNPACK

Remove all the TD-600 components out of the packaging and place these on a horizontal surface.

#### WHEELS INSTALLATION

- Place the base on a easy to work surface with the 5 wheels in contact with the floor.

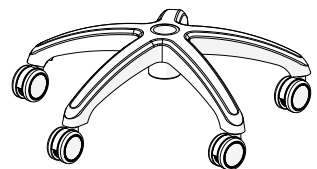


Fig.8

#### PISTON PLACEMENT



**DO NOT push or actuate on the piston top under any circumstance during all the assembly process (Fig.9).**

- Introduce the piston end **A** (Fig.10) to the top base hole **B** (Fig.10).



Fig.9

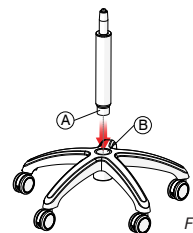


Fig.10

### ARM SUPPORT RING PLACEMENT

- Introduce the metallic ring of the accessories bag through the piston axle **A** (Fig.11) until the position **B** (Fig.11).

#### **⚠ DO NOT TOUCH THE PISTON CAP**

- Insert and fix the x3 M6 grub screw of the accessories bag to the ring holes and fix these firmly (Fig.12).

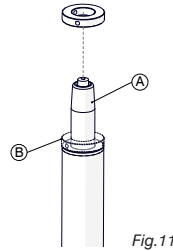


Fig.11

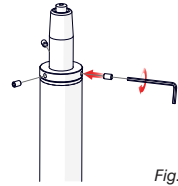


Fig.12

### FIRST ARM TRAM INSTALLATION

- Introduce the tube (support) hole **B** (Fig.13) through the piston axle **A** (Fig.13) until it stops on the ring (Fig.14).

#### **⚠ DO NOT TOUCH THE PISTON CAP**

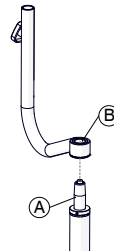


Fig.13

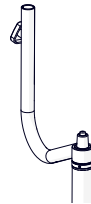


Fig.14

### SEAT PLACEMENT

- Introduce the TD-600 seat positioning hole **B** (Fig.15) through the piston axle **A** (Fig.15).

- Sit down on the seat in order to ensure the fixation.

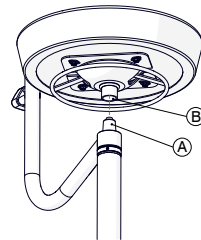


Fig.15

### SUPPORT ARM PLACEMENT

- Introduce the support arm axle **A** (Fig.16) through the hole **B** (Fig.16).

- Unscrew a little bit the knob **C** (Fig.16) and ensure the axle **A** is well installed.

- Turn the Knob **A** (Fig.17) until it locks the arm.

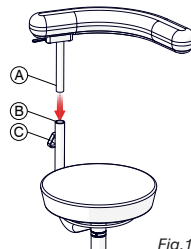


Fig.16

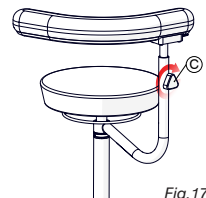
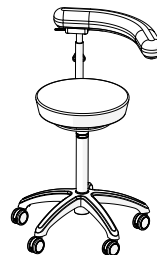


Fig.17

### STOOL CHECKING

- Place the Td-600 on the working surface and ensure a correct assembly by checking a good stool movement.

If the previous points have been done correctly, the stool is ready to be used.

Fig.18  
Ancar

### 8.3.- TD-600 Use

#### ADJUSTMENT LEVERS

- A** - Stool height adjustment lever
- B** - Arm height adjustment lever
- C** - Arm turn adjusting lever

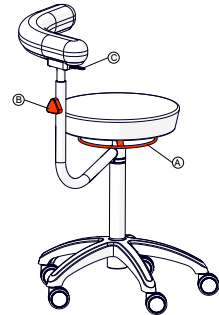


Fig.19

#### STOOL HEIGHT ADJUSTMENT

The seat stool height can be adjusted from 620 mm to 820 mm.

- Sit down on the stool.
- Pull up the lever **A** (Fig.19).
- Decrease the pressure on the seat to go on a high position or increase the pressure to go on a lower position.
- Release the lever.

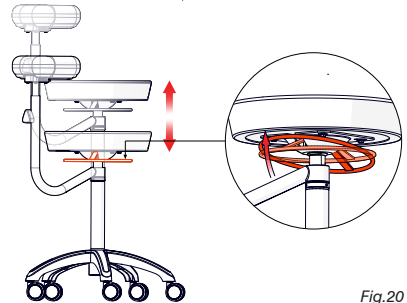


Fig.20

#### SUPPORT ARM HEIGHT ADJUSTMENT

The stool support arm height can be adjusted 100 mm.

- Unscrew the knob **A** (Fig.21) a little bit.
- Rise up the arm until the desired position.
- Screw the knob until the arm is fixed **B** (Fig.21).

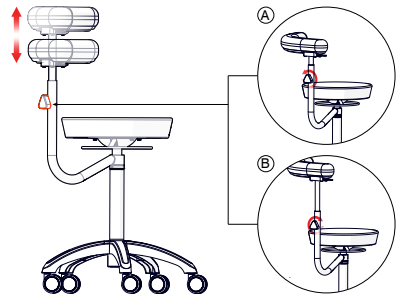


Fig.21

#### SUPPORT ARM POSITION ADJUSTMENT

The support arm can turn around the stool seat and also can be turn by itself 360°.

- Move the lever **C** (Fig.19) and turn the s.arm.
- When you finde the desired position, leave the lever and the position will be locked.

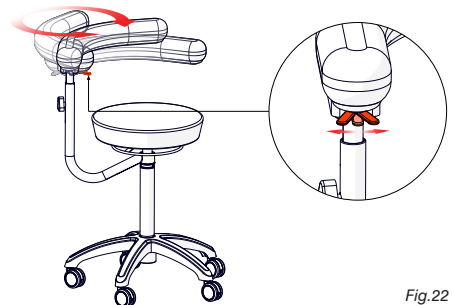
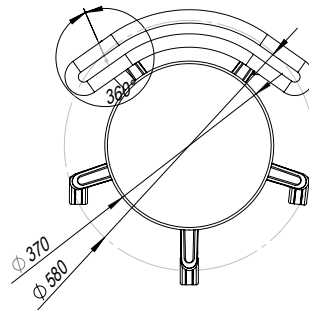
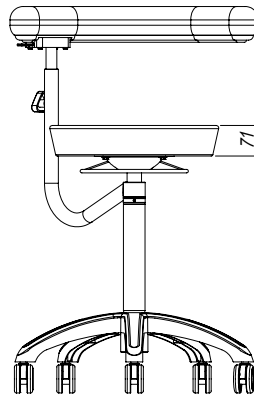
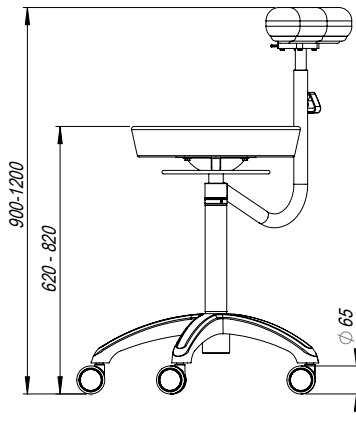


Fig.22  
13

## 8.4.- Technical Specifications

Ancar Identification	TD-600
Base outside diameter	600 mm
Seat height from the floor	620 - 820 mm
Seat height adjustment	200 mm
Arm rest tilting adjustment	360°
Arm rest height adjustment	100 mm
Wheels diameter	65 mm
Packaging dimensions	570 x 560 x 530 mm
Gros weight	16 Kg.
Net weight	13 Kg.



## 9.- TD-500

The Td-500 is a dentist / assistant “saddle” type dental stool with adjustable height and seat tilting.

### 9.1.- TD-500 Packaging

The TD-500 is delivered with one single packaging with the Ancar name, the model name and the upholstery colour indicated on the box sides.

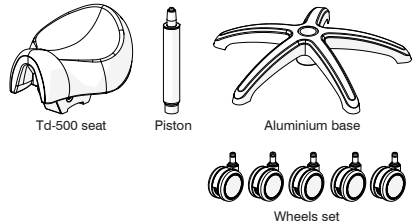
#### BOX DETAILS

x1 Package  
 Dimensions: 540x525x380 mm.  
 Net weight: 8,5Kg.  
 Gross weight: 12Kg.



#### BOX CONTENT

x1 Td-500 Seat  
 x1 Piston  
 x1 Aluminium base  
 x1 Wheels set:  
 x5 Wheels



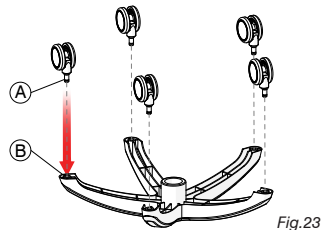
### 9.2.- TD-500 Assembly

#### UNPACK

Remove all the TD-500 components out of the packaging and place these on a horizontal surface.

#### WHEELS INSTALLATION

- Place the stool aluminium base with the 5 base legs upwards faced (Fig. 23).
- Introduce the wheel axle **A** (Fig.23) to the base legs hole **B** (Fig.23) and press firmly against the foot.



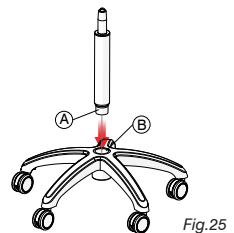
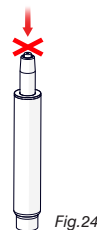
#### PISTON PLACEMENT

- Rotate the base assembly.



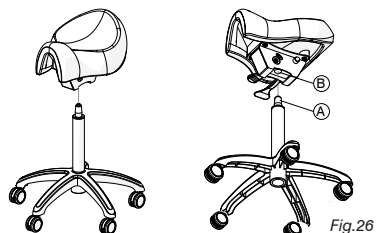
**DO NOT push or actuate on the piston top under any circumstance during all the assembly process (Fig.24).**

- Introduce the piston end **A** (Fig. 25) to the base hole **B**(Fig. 25).



#### SEAT ASSEMBLY

- Introduce the mechanism seat hole **B** (Fig.26) through the Piston axle **A** (Fig.26).
- Ensure a correct assembly by cheking a good stool movement.



If the previous operations have been done correctly, the stool is ready to be used.

**Ancar**

### 9.3.- TD-500 Use

#### ADJUSTMENT LEVERS

- A** - Stool height adjustment lever
- B** - Seat tilting adjustment lever

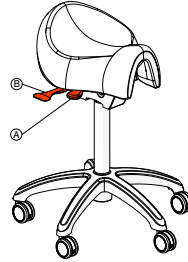
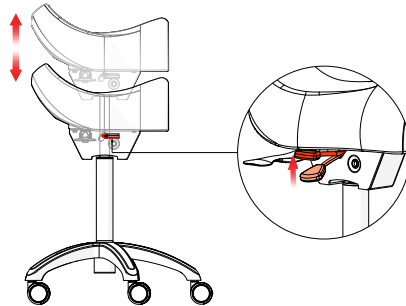


Fig.27

#### STOOL HEIGHT ADJUSTMENT

The seat stool height can be adjusted from 560 mm to 760 mm.

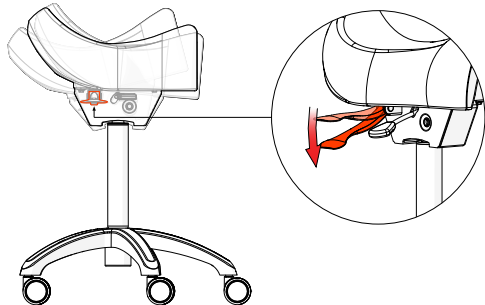
- Sit down on the stool.
- Pull up the lever **A** (Fig. 27).
- Decrease the pressure on the seat to go on a high position or increase the pressure to go on a lower position.
- Release the lever.



#### SEAT TILTING ADJUSTMENT

The stool seat inclination can be adjusted from  $-5^{\circ}$  to  $+10^{\circ}$  from the horizontal plane.

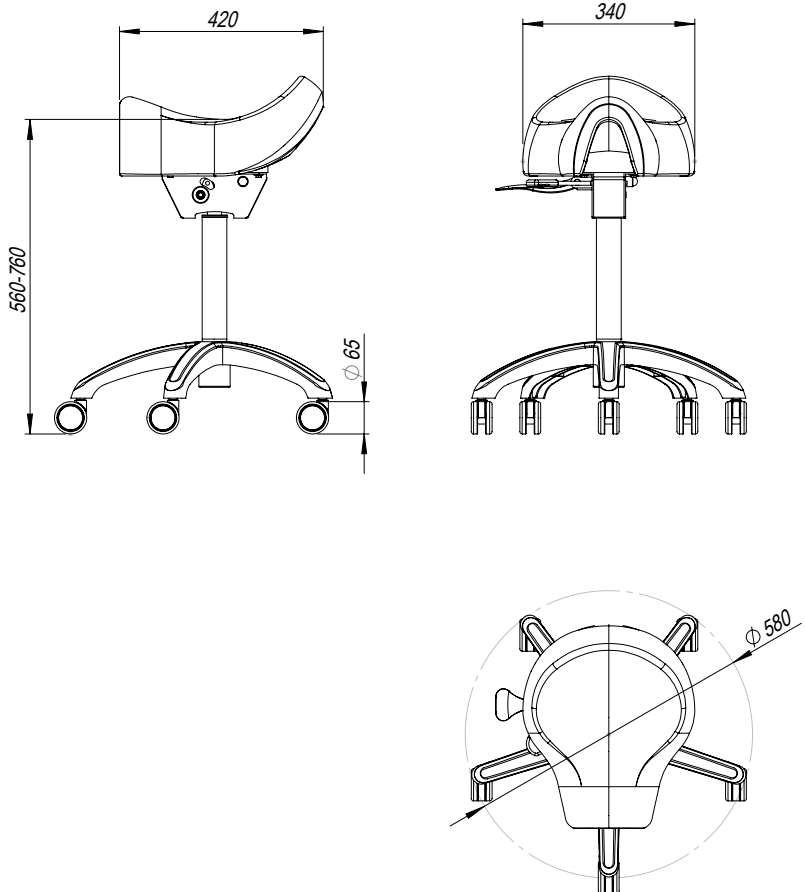
- Sit down on the stool.
- Pull down the lever **B** (Fig.27) and maintain it down.
- Balance your body until you find the desired position.
- Pull up the lever **B** (Fig.27) to fix the position.





### 9.4.- Technical Specifications

Ancar Identification	TD-600
Base outside diameter	600 mm
Seat height from the floor	590 to 790 mm
Seat height adjustment	200 mm
Seat tilting adjustment	-5° to +10°
Wheels diameter	65 mm
Packaging dimensions	540 x 525 x 380 mm
Gros weight	12 Kg.
Net weight	8,5 Kg.





0434

QS4 692 v.1  
September 2015

Subject to design and/or specification changes  
without prior warning. Made in Europe.

**Antoni Carles, S.A.**  
Volta dels Garrofers, 41-42. Polígono Industrial "Els Garrofers"  
08340 Vilassar de Mar (Barcelona-SPAIN)  
Tel. (34) 93 754 07 97 Fax (34) 93 759 26 04  
[www.ancar-online.com](http://www.ancar-online.com) / e-mail: [ancar@ancar-online.com](mailto:ancar@ancar-online.com)